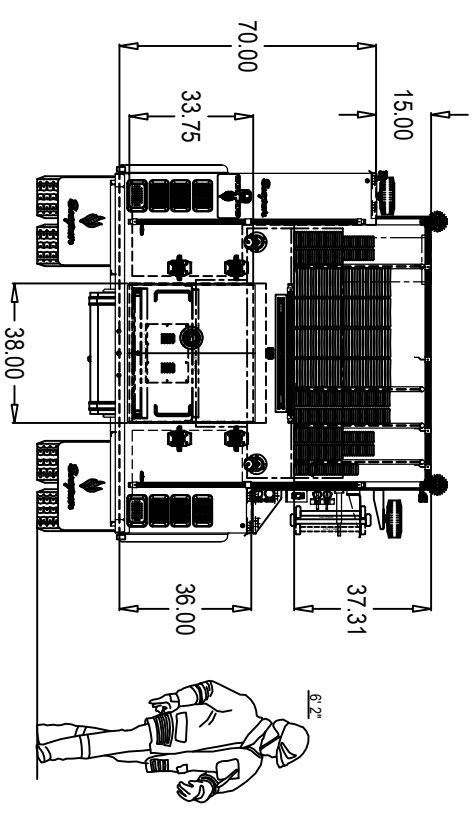


- HOSE LOAD:**
- 200' OF 1.75" HOSE ATOP
  - 300' OF 2.5" HOSE
  - 1000' OF 5" HOSE
  - 600' OF 2.5" HOSE
  - 200' OF 1.75" HOSE ATOP
  - 300' OF 2.5" HOSE
  - 200' OF 1.75" HOSE
- GROUND LADDERS:**
- DUO-SAFETY #900-A 24' 2 SECTION LADDER
  - DUO-SAFETY #775-A 14' ROOF LADDER
  - DUO-SAFETY #585-A 10' FOLDING LADDER
  - (2) ALUMINUM PIKE POLE TUBES
  - FIRE HOOKS #NH-10 10' PIKE POLE WOOD HANDLE
  - 300' OF 2.5" HOSE
  - FIRE HOOKS #APH-6 6' PIKE POLES FIBERGLASS HANDLE



**FWD**

FWD SEAGRAVE HOLDINGS, LP / 105 EAST 12TH STREET  
CLINTONVILLE, WI 54929

*Seagrave*

HOLBROOK FIRE DISTRICT

PREPARED BY: DMP	DATE: 09-06-2022	MODEL: TB60CA
CAB: MARAUDER 141 10RR	FRONT AXLE: MFS / 22.8K / DISC	
ENGINE: CUMMINS 19 450 HP	REAR AXLE: RS-25-160 / 27K / DISC	
PUMP: SEAGRAVE "TRITON" 1750 GPM	FRONT TIRES: GY / 425 / 65R22.5 / ARMOR MAX MSA	
BODY: #3CR12 S/S / MATRIX 146 (FLUSH)	REAR TIRES: GY / 12R22.5 / G622 RSD	
TANK: 750 WATER / L-T (UPF)	FOAM: -	

**PRELIMINARY DRAWING**

**F3428**

INTERNAL SALES REPRESENTATIVE SIGNATURE OF APPROVAL

**JAMIE DE GROOT**

**09-13-2022**

REV.	DATE	DESCRIPTION	REV. BY
-	09-06-2022	PER QW #10090-0004	DMP
1	09-13-2022	PER QW #10090-0006	DMP

ALL DIMENSIONS ARE MEASURED IN INCHES, UNLESS OTHERWISE NOTED.

THIS DRAWING IS FOR REFERENCE OF CONFIGURATION; MINOR DETAILS MAY NOT BE SHOWN. DIMENSIONS SHOWN ARE APPROXIMATE AND SUBJECT TO CHANGE. THE SALES ORDER AND APPROVED SALES ORDER CHANGES WILL PREVAIL, WHERE DISCREPANCIES EXIST.

THE INDICATED VEHICLE HEIGHT REPRESENTS A CALCULATED DIMENSION. ACTUAL SHIPPED HEIGHT MAY VARY.

THE HOSE CAPACITY IS A CALCULATED AMOUNT. ACTUAL CAPACITY MAY VARY DEPENDING ON VENDOR OF THE HOSE.